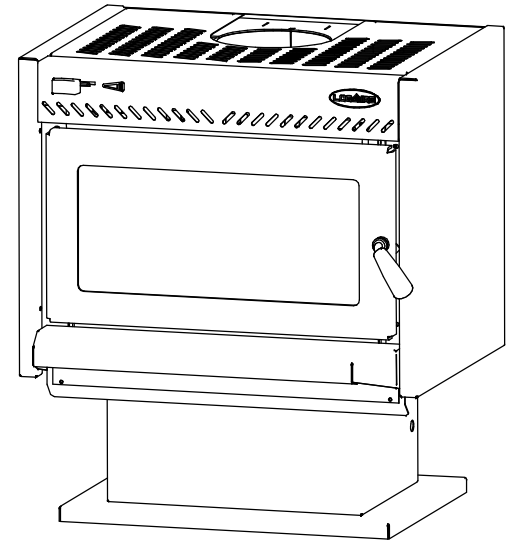
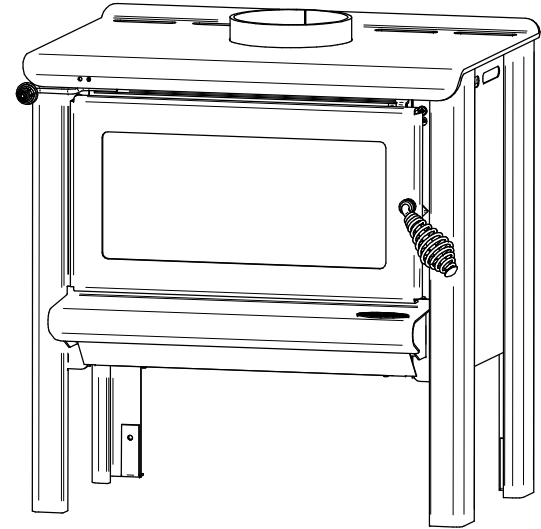
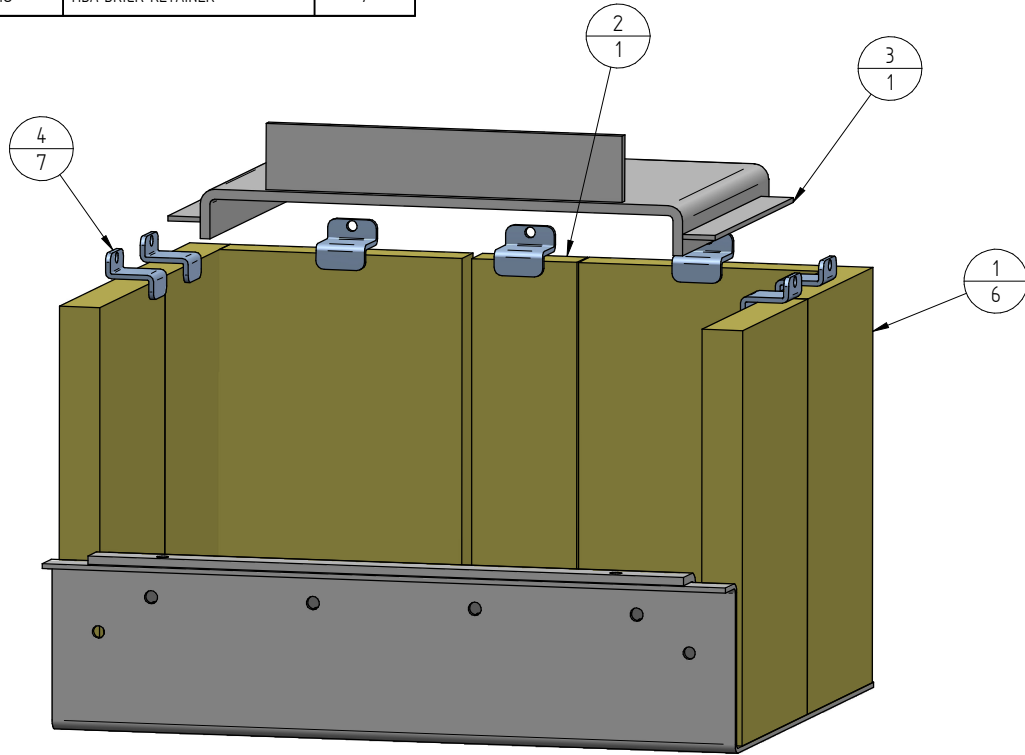


This drawing is the Property of GLEN DIMPLEX AUSTRALASIA LTD. All dimensions are outside/outside unless otherwise stated.

<b>PART NUMBER : MAEHW &amp; MIRHW BRICK</b>			<b>REVISION LEVEL :</b>
Amendment	Date	By	<b>TOLERANCES :</b>
			Decimal Places: 0 ± 0.5
			0.0 ± 0.2
			Angles Degrees: 0 ± 5°

MINOS BRICK LAYOUT			
ITEM	PART ID	DESCRIPTION	QUANTITY
1	MIC00354	MIC BRICK	6
2	MIC00355	MIC BRICK HALF	1
3	MICAC109	MIC BAFFLE SUB ASSEMBLY	1
4	HBA00118	HBA BRICK RETAINER	7



**BRICK & BAFFLE LAYOUT FOR AUSTRALIAN MICROS AND MINOS HARDWOOD MODELS**

Weight = 70.484 kg

**GLEN DIMPLEX AUSTRALASIA LTD**  
 38 HARRIS ROAD, EAST TAMAKI, AUCKLAND, NEW ZEALAND  
 Ph 09 274 8265, Fax 09 274 8472, Email : Eng\_Office@glendimplex.co.nz

Customer : LOGAIRE	Drawing No :	Drawn : davidl	Date : 16-Mar-07	Chk'd By :
		Modified : prakasht	Date : 30-Mar-11	
Part Name : MINOS HW BRICK LAYOUT		Material :	Finish : Natural	